



QuickSetter™

STATIC BALANCING VALVE WITH INTEGRAL FLOW METER

CALEFFI
Hydronic Solutions



Heating & Cooling

Components for today's modern hydronic systems



PRODUCT FEATURES

■ Pull-adjust-release:

Due to built-in direct reading flow meter, setting flow is as simple as: pulling ring, adjusting control stem until desired flow rate is reached, then releasing ring. Saves significant time compared to valves requiring use of a DP instrument or manometer.

■ Always clear flow scale:

Metal flow indicator ball travels within transparent isolated glass channel, attracted to the magnetic disc as it moves within the by-pass indicating GPM. Scale glass never clouds over. Provides clear, accurate reading unlike traditional sight flow meters.

■ Protective bypass valve:

When not measuring or adjusting flow, by-pass valve stays closed thus preventing flow within by-pass channel. Protects potential debris from interfering with spring/magnetic disc mechanism.

■ Pre-formed insulation shell:

Energy savings from perfect heat insulation. Prevents formation of condensation on body surface in cooling circuits.

■ Memory pointer:

Sliding pointer on the scale provides flow rate memory indication.

■ Simple servicing:

By-pass channel easily detaches for cleaning.

Fast, easy and accurate balancing

The Caleffi QuickSetter's built-in visual flow meter simplifies balancing by allowing the contractor to adjust flow while viewing flow rate directly on the valve itself. There is no need for time consuming differential pressure instruments that traditional static balancing valves require. Zone balancing is fast, easy and accurate with QuickSetter. **Caleffi Guaranteed.**

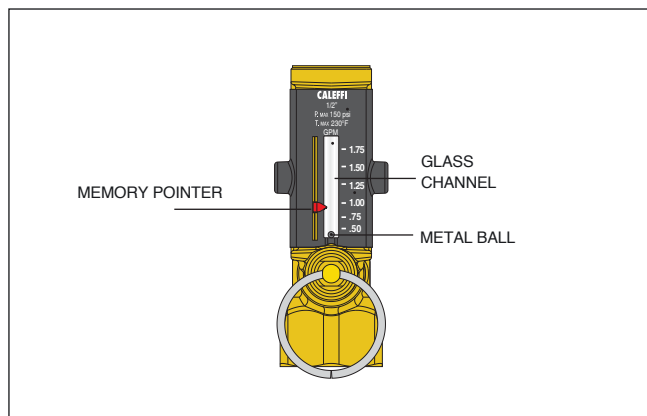
PRODUCT RANGE - QuickSetter™ - 132 SERIES

SIZES	FLOW SCALE: (GPM)	CV	CODE	
			NPT	PRESS
½"	0.5—1.75	3.0	132432A	132436A
¾"	2.0—7.0	6.3	132552A	132556A
1"	3.0—10.0	8.3	132662A	132666A
1¼"	5.0—19.0	15.2	132772A	132776A
1½"	8.0—32.0	32.3	132882A	132886A
2"	12.0—50.0	53.7	132992A	132996A

Supplied standard with pre-formed insulation shell.



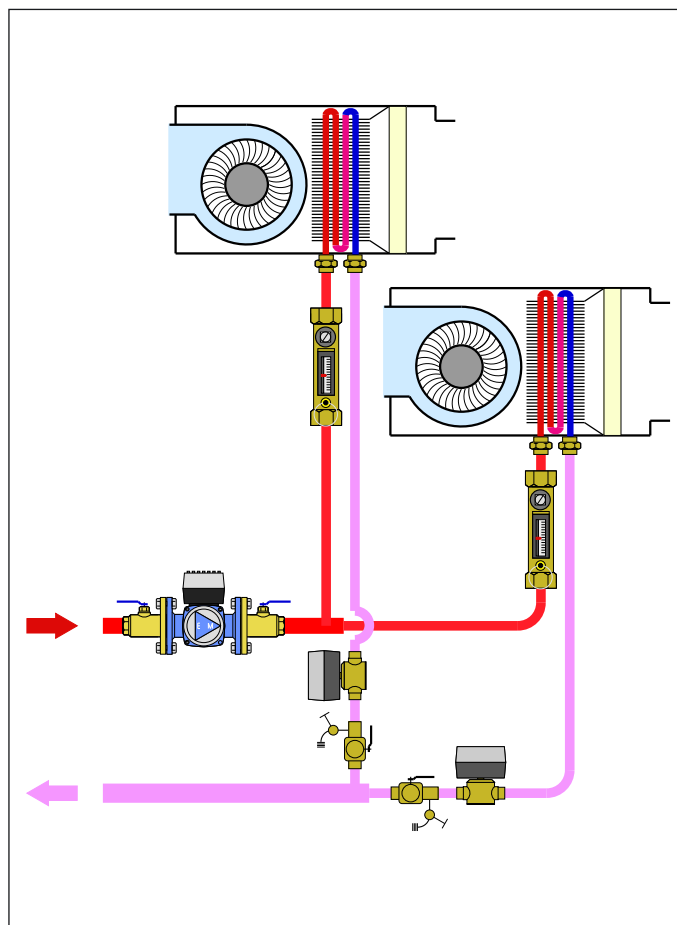
FLOW METER DETAIL



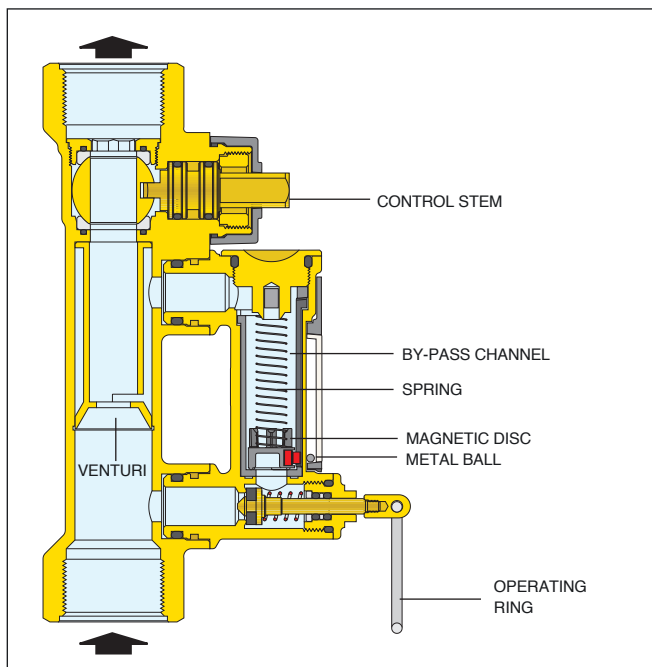
PERFORMANCE

MAX. WORKING PRESSURE	150 psi (10 bar)
WORKING TEMPERATURE RANGE	14 — 230°F (-10-110°C)
MAX. PERCENTAGE OF GLYCOL	50%

APPLICATION DIAGRAM



CONSTRUCTION



Caleffi Partner:



ONLINE
CATALOG

CALEFFI
Hydronic Solutions

03618-20 NA

WE RESERVE THE RIGHT TO CHANGE OUR PRODUCTS AND THEIR RELEVANT TECHNICAL DATA CONTAINED IN THIS PUBLICATION AT ANY TIME AND WITHOUT PRIOR NOTICE.

Caleffi North America, Inc.
sales@caleffi.com · www.caleffi.com
© Copyright 2020 Caleffi North America, Inc.