



SOLAR TEMPERATURE SENSOR
FOR USE WITH EASYTOUCH[®], INTELLITOUCH[®], SUNTOUCH[®]
AND COMPOOL[®] TO EASYTOUCH UPGRADE CONTROL
SYSTEMS



INSTALLATION
INSTRUCTIONS

IMPORTANT SAFETY INSTRUCTIONS
READ AND FOLLOW ALL INSTRUCTIONS
SAVE THESE INSTRUCTIONS

Kit contents

The following items are included in the solar temperature sensor replacement kit, P/N 520121.

- Solar Temperature Sensor, 10K Ohms 20"
- O-Ring
- Installation Instructions (this manual)

Technical Support

Sanford, North Carolina (8 AM to 4:30 PM)

Moorpark, California (8 AM to 4:30 PM)

Phone: (800) 831-7133

Related manuals:

<http://pentairpool.com/pool-owner/manuals/section.php?s=5>

IntelliTouch® Control System User's Guide (P/N 521075)

EasyTouch® Control System User's Guide (P/N 521044)

SunTouch® Control System User's Guide (P/N 520785)

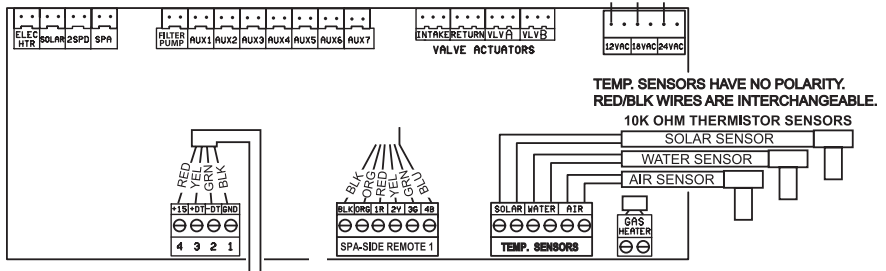
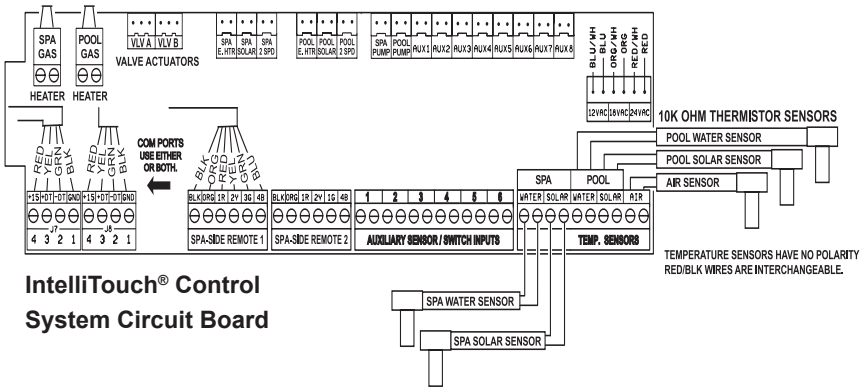
INSTALLATION:

Note: See following page for circuit board sensor connector locations.

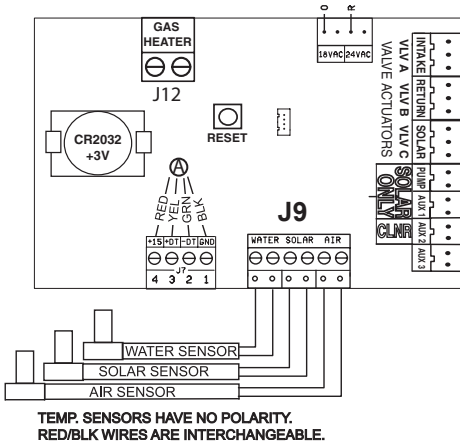
The 10k Ohms Solar Temperature Sensor can be is used with IntelliTouch®, EasyTouch®, SunTouch® and Compool® to EasyTouch Upgrade Control Systems.

Solar Temperature Sensor Replacement:

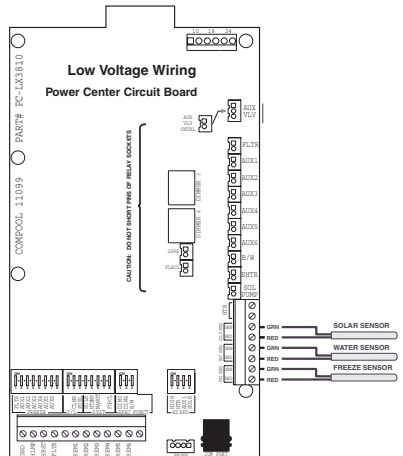
1. For unglazed panels, fasten the sensor next to the solar panels. For glazed panels, suspend the sensor between collector and glazing.
2. Route the sensor cable up through the low voltage compartment of the Load Center or Power Center to the Outdoor Control Panel circuit board.
3. Strip the wires back 1/4 in.
4. Connect the sensor wires to the SOLAR screw terminal. See page 1 for solar screw terminal location.



EasyTouch® Control System Circuit Board



SunTouch® Control System Circuit Board



Compool® EasyTouch® Upgrade Control System



1620 HAWKINS AVE., SANFORD, NC 27330 • (919) 566-8000
10951 WEST LOS ANGELES AVE., MOORPARK, CA 93021 • (805) 553-5000

WWW.PENTAIRPOOL.COM

All Pentair trademarks and logos are owned by Pentair, Inc. Pentair Aquatic Systems™, EasyTouch®, IntelliTouch®, SunTouch®, Compool® are trademarks and/or registered trademarks of Pentair Water Pool and Spa, Inc. and/or its affiliated companies in the United States and/ or other countries. Unless expressly noted, names and brands of third parties that may be used in this document are not used to indicate an affiliation or endorsement between the owners of these names and brands and Pentair Water Pool and Spa, Inc. Those names and brands may be the trademarks or registered trademarks of those third parties. Because we are continuously improving our products and services, Pentair reserves the right to change specifications without prior notice. Pentair is an equal opportunity employer.

© 2013 Pentair Aquatic Systems. All rights reserved.
This document is subject to change without notice.



P/N 522144 Rev. A 8/13