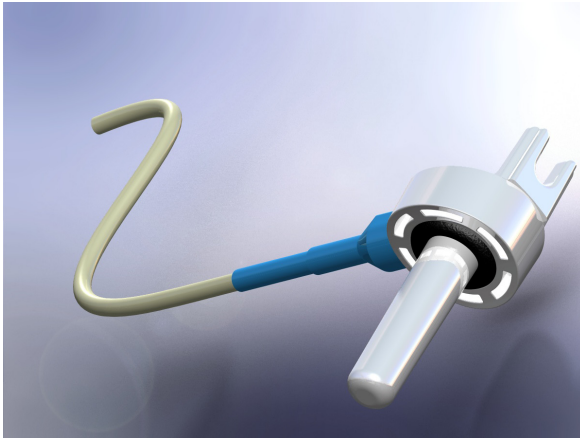




# TEMPERATURE SENSOR

FOR USE WITH EASYTOUCH<sup>®</sup>, INTELLITOUCH<sup>®</sup>, SUNTOUCH<sup>®</sup>  
AND COMPOOL<sup>®</sup> TO EASYTOUCH UPGRADE CONTROL



## INSTALLATION INSTRUCTIONS

IMPORTANT SAFETY INSTRUCTIONS  
READ AND FOLLOW ALL INSTRUCTIONS  
SAVE THESE INSTRUCTIONS

## Kit contents

The following items are included in the water or air temperature sensor replacement kit P/N 520272

- Temperature Sensor, 10k Ohms, 20 ft
- O-Ring
- Installation Instructions (this manual)

## Technical Support

**Sanford, North Carolina** (8 AM to 4:30 PM)

**Moorpark, California** (8 AM to 4:30 PM)

Phone: (800) 831-7133

Fax: (800) 284-4151

## Related manuals:

<http://pentairpool.com/pool-owner/manuals/section.php?s=5>

IntelliTouch® Control System User's Guide (P/N 521075)

EasyTouch® Control System User's Guide (P/N 521044)

SunTouch® Control System User's Guide (P/N 520785)

## Water Temperature Sensor

The 10k Ohms Temperature Sensor can be used with IntelliTouch®, EasyTouch®, SunTouch® and Compool® to EasyTouch Upgrade Control Systems. This sensor can be used as a **Water** or **Air** sensor.

### INSTALLATION:

Note: See following page for circuit board sensor connector locations.

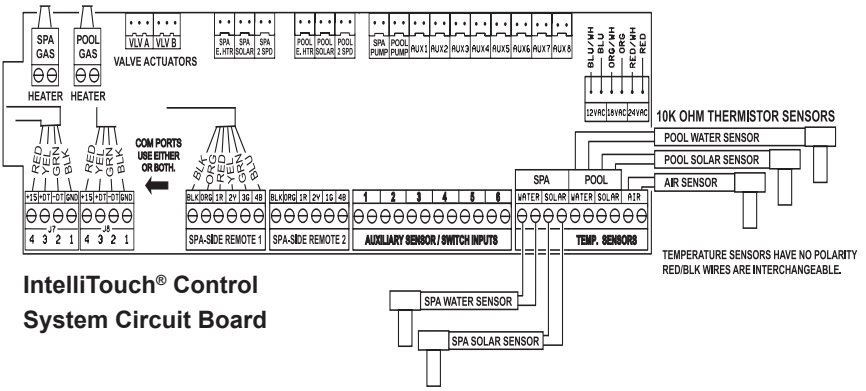
#### **IMPORTANT NOTE: Replacing the existing Water Temperature Sensor.**

When replacing the existing water temperature sensor, be sure to use drill a 3/8th inch hole into the pipe for the new sensor. Note: The existing water sensor hole is 5/16th inch, and will not fit the new replacement sensor.

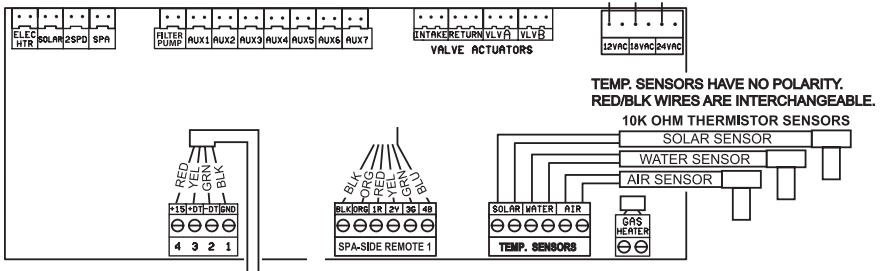
1. The existing water sensor is located between the filter pump and the filter. Remove the sensor.
2. Drill a 3/8th inch hole in the pipe. Position the hose clamp over the replacement sensor and gently tighten around pipe.  
**Caution: Do not overtighten clamp.**
3. Route the cable up through the low voltage compartment of the Load Center or Power Center to the Outdoor Control Panel circuit board.
4. Strip wires back 1/4 inch. Connect the sensor wires to **WATER** screw terminals. See page 1 for screw terminal location.

#### **Ambient Air Temperature (Freeze Protection) Sensor Replacement**

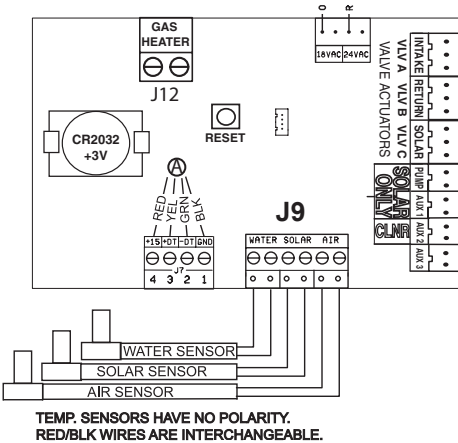
1. Mount sensor in open air, in shaded area, away from air conditioners. Route the cable up through the low voltage compartment of the Load Center or Power Center to the Outdoor Control Panel circuit board. Use cable ties to fasten sensor cable to pipes. Strip wires back 1/4 inch. Connect the sensor wires to **AIR** screw terminals. See page 1 for screw terminal location.



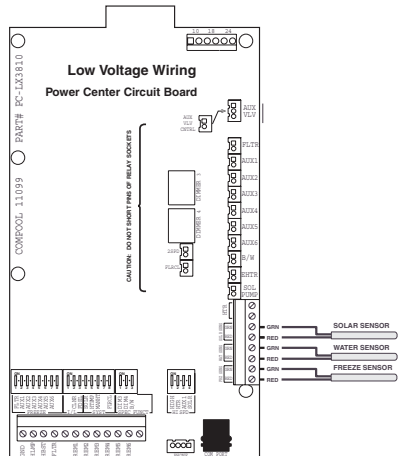
**IntelliTouch® Control System Circuit Board**



**EasyTouch® Control System Circuit Board**



**SunTouch® Control System Circuit Board**



**Compool® EasyTouch® Upgrade Control System**



1620 HAWKINS AVE., SANFORD, NC 27330 • (919) 566-8000  
10951 WEST LOS ANGELES AVE., MOORPARK, CA 93021 • (805) 553-5000

[WWW.PENTAIRPOOL.COM](http://WWW.PENTAIRPOOL.COM)

All Pentair trademarks and logos are owned by Pentair, Inc. Pentair Aquatic Systems™, EasyTouch®, IntelliTouch®, SunTouch®, Compool® are trademarks and/or registered trademarks of Pentair Water Pool and Spa, Inc. and/or its affiliated companies in the United States and/ or other countries. Unless expressly noted, names and brands of third parties that may be used in this document are not used to indicate an affiliation or endorsement between the owners of these names and brands and Pentair Water Pool and Spa, Inc. Those names and brands may be the trademarks or registered trademarks of those third parties. Because we are continuously improving our products and services, Pentair reserves the right to change specifications without prior notice. Pentair is an equal opportunity employer.

© 2013 Pentair Aquatic Systems. All rights reserved.  
This document is subject to change without notice.



P/N 520326 Rev.D 8/13