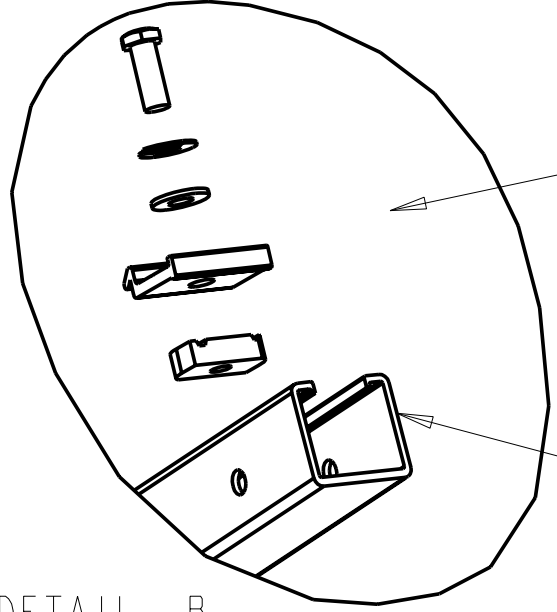


		SUNEARTH, INC.		
		8425 Almeria Ave., Fontana, CA 92335		
		NAME		
		LANDSCAPE RACKING SYSEM		
DRAWN BY	B. WEST	REV _	PART NO	MATERIAL
DATE	12-13-07			SHEET 1 OF 3



ADDITIONAL HARDWARE DETAIL  
IN DETAIL A

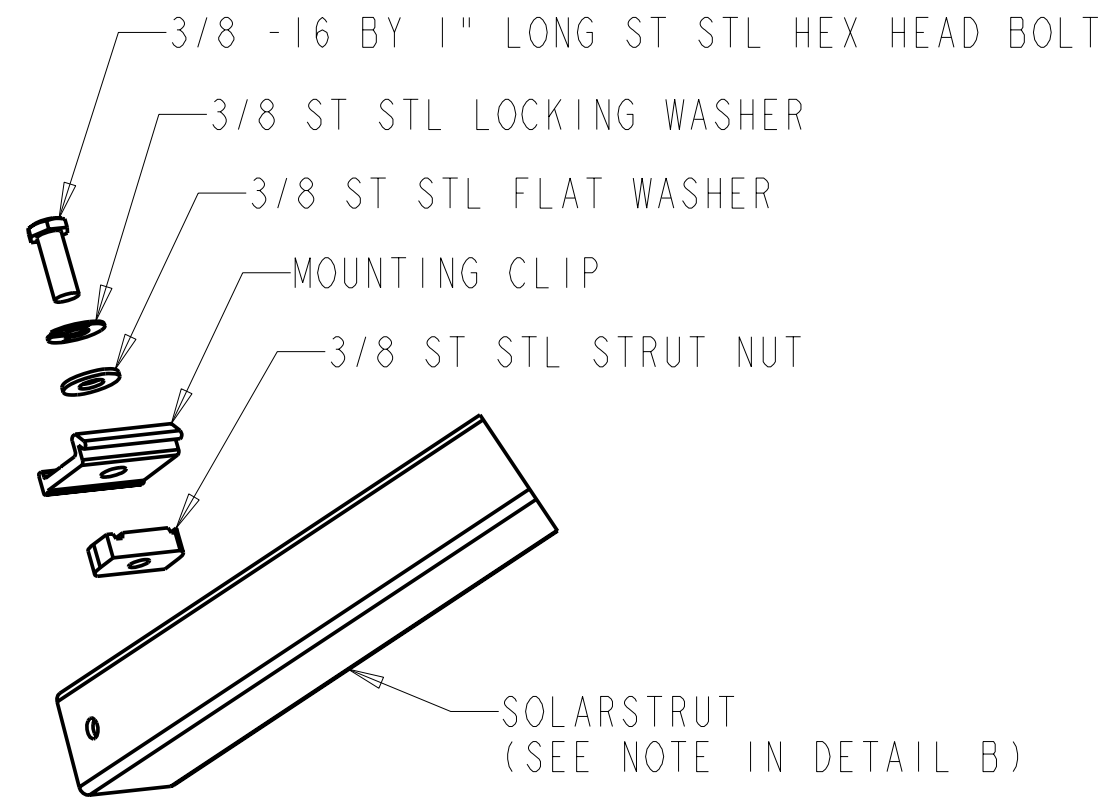
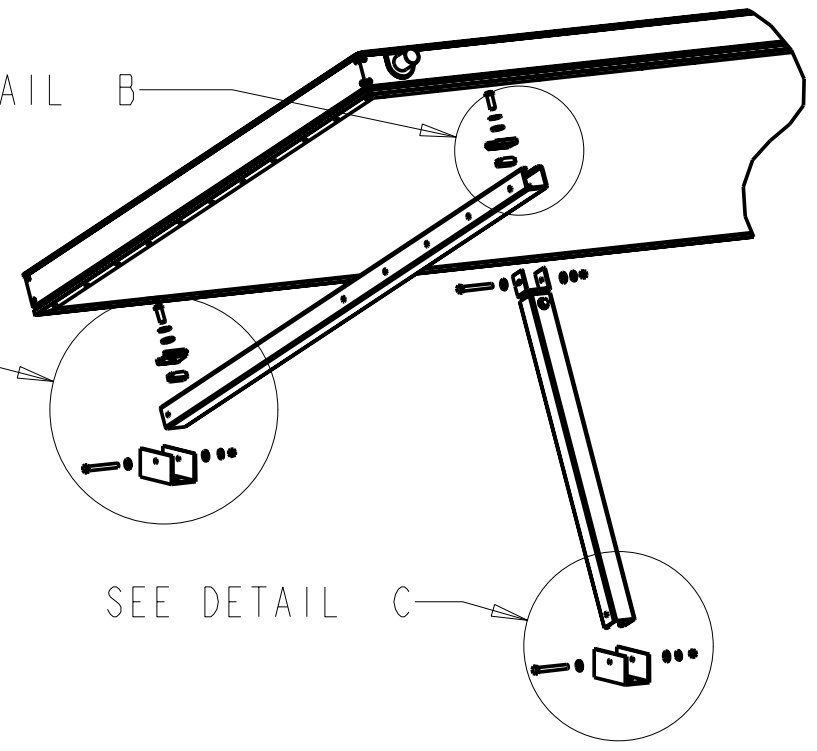
SOLARSTRUT  
1-3/4" WIDE X 1-5/8" TALL  
X .125" WALL THICKNESS

DETAIL B  
SCALE 0.350

SEE DETAIL B

SEE DETAIL A

SEE DETAIL C



3/8 -16 BY 1" LONG ST STL HEX HEAD BOLT

3/8 ST STL LOCKING WASHER

3/8 ST STL FLAT WASHER

MOUNTING CLIP

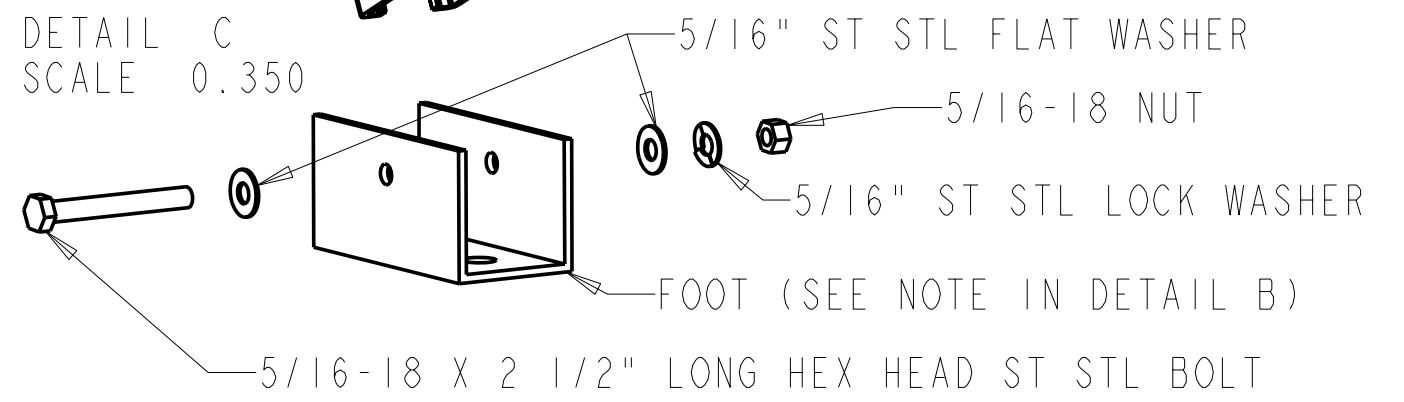
3/8 ST STL STRUT NUT

SOLARSTRUT  
(SEE NOTE IN DETAIL B)

DETAIL A  
SCALE 0.350

REAR LEG (SOLARSTRUT)  
1-3/4" WIDE X 1-5/8" TALL  
X .125" WALL THICKNESS

DETAIL C  
SCALE 0.350



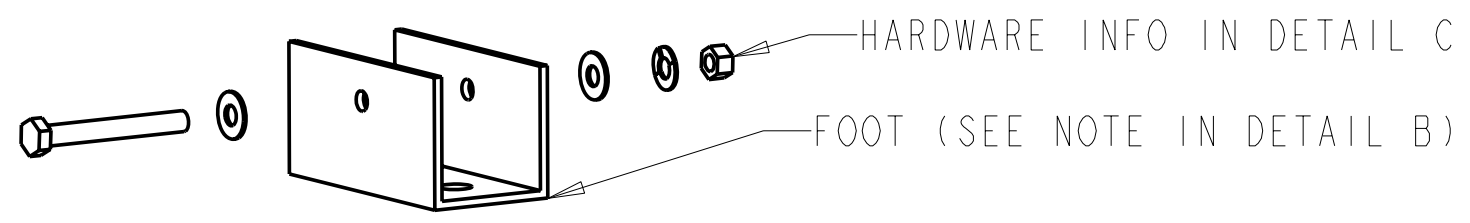
5/16" ST STL FLAT WASHER

5/16-18 NUT

5/16" ST STL LOCK WASHER

FOOT (SEE NOTE IN DETAIL B)

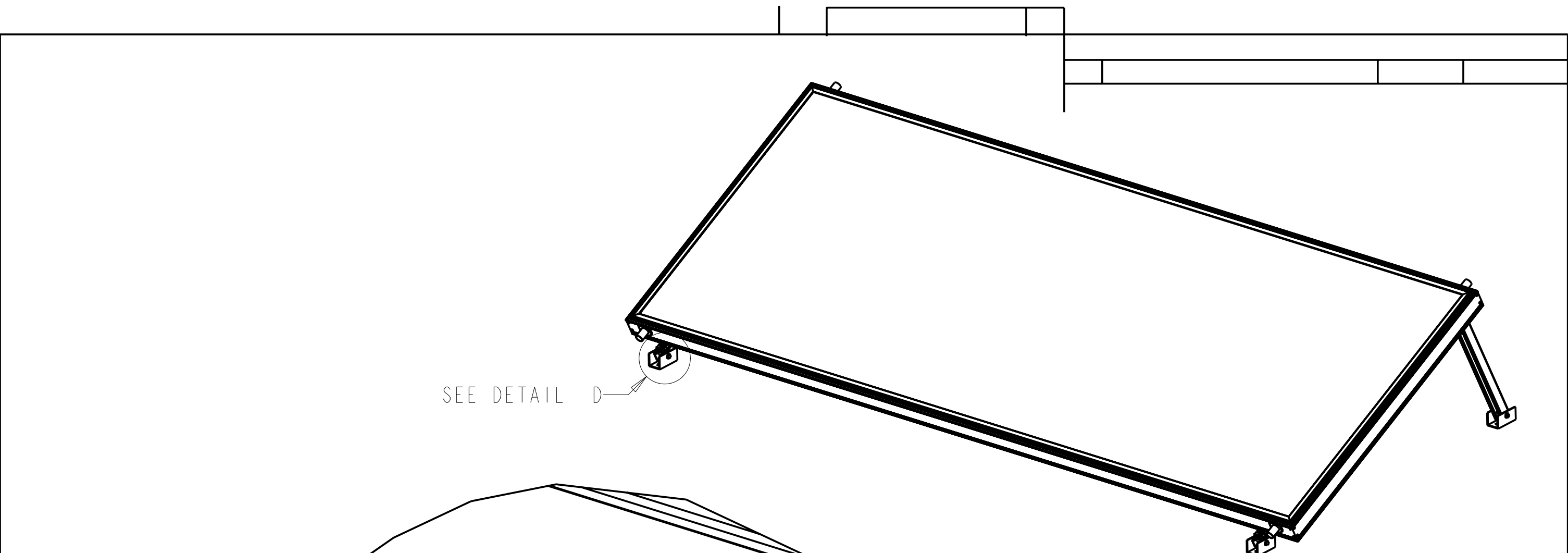
5/16-18 X 2 1/2" LONG HEX HEAD ST STL BOLT



HARDWARE INFO IN DETAIL C

FOOT (SEE NOTE IN DETAIL B)

SUNEARTH, INC.			
8425 Almeria Ave., Fontana, CA 92335			
NAME LANDSCAPE RACKING SYSEM			
DRAWN BY	B.WEST	REV	PART NO
DATE	12-13-07	MATERIAL	
		SHEET 2 OF 3	

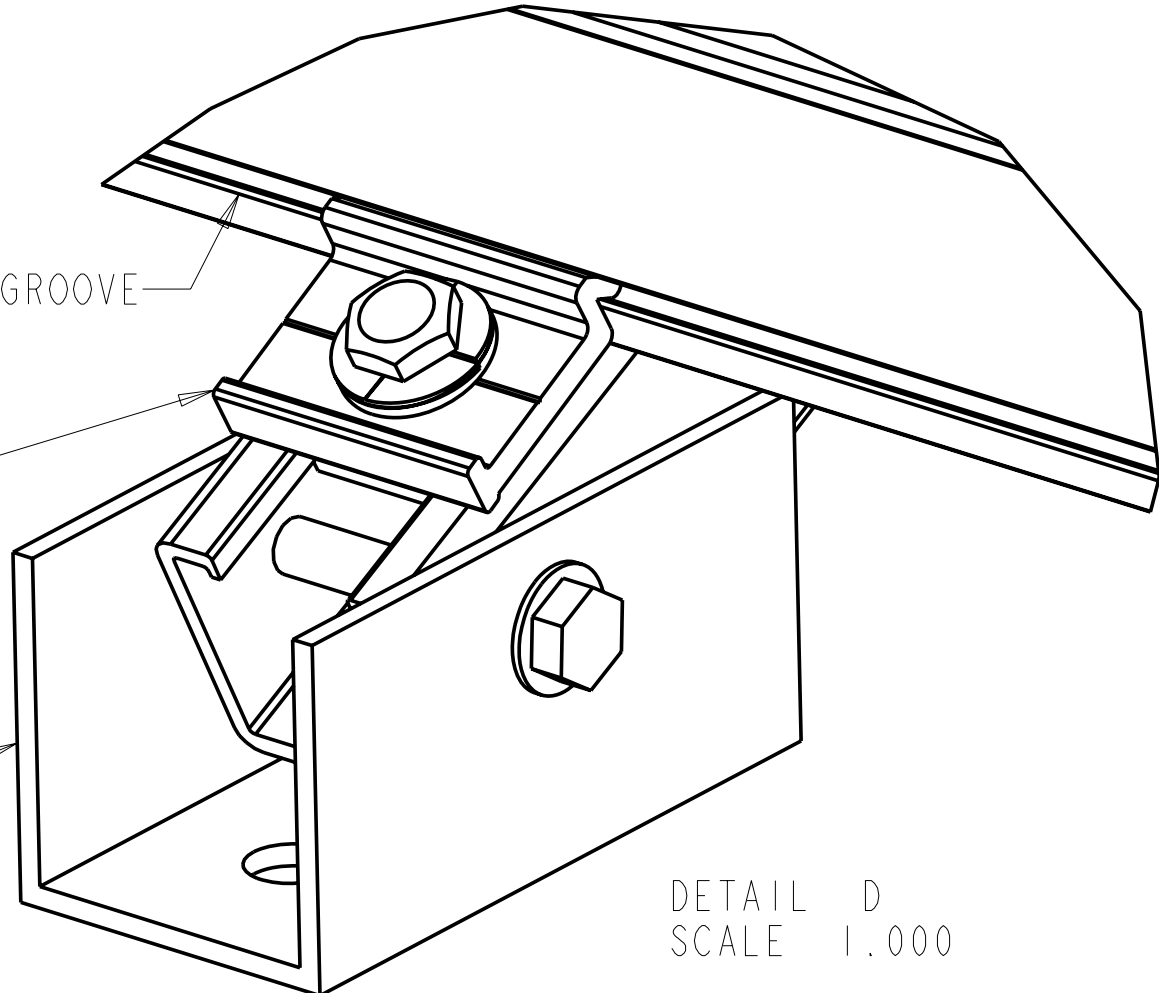


SEE DETAIL D

COLLECTOR MOUNTING GROOVE

MOUNTING CLIP

FOOT



DETAIL D  
SCALE 1.000

		SUNEARTH, INC.		
		8425 Almeria Ave., Fontana, CA 92335		
		NAME		
		LANDSCAPE RACKING SYSEM		
DRAWN BY	B.WEST	REV	PART NO	MATERIAL
DATE	12-13-07			
		SHEET 3 OF 3		