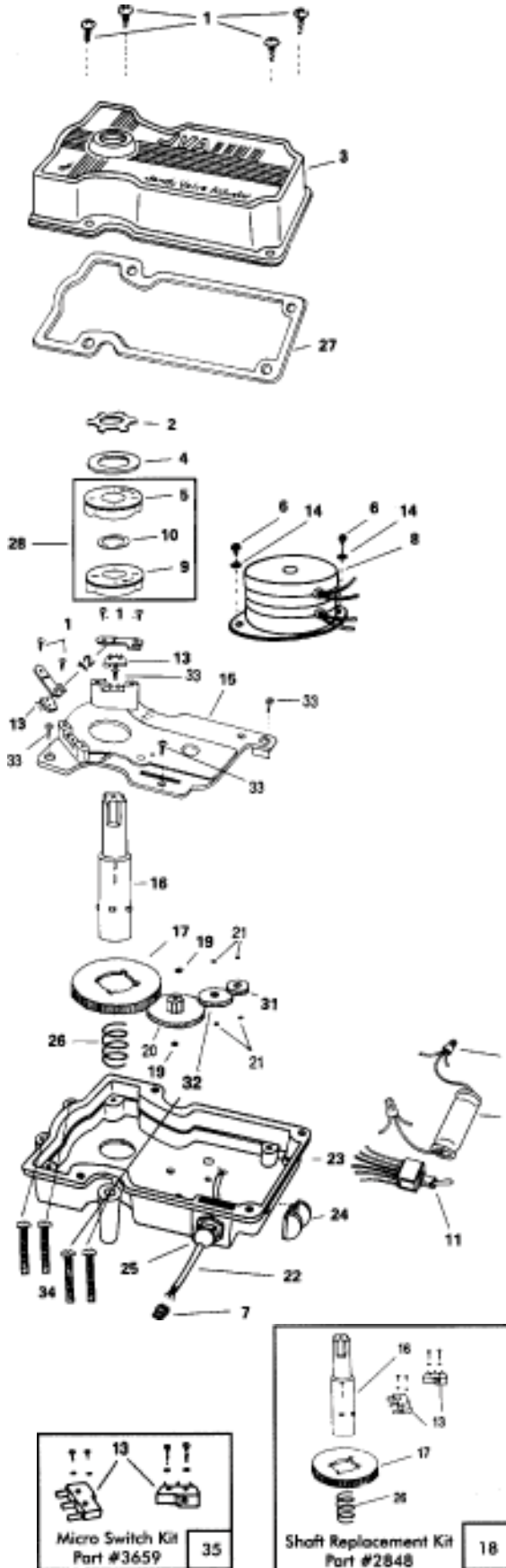


## Jandy Valve Actuator Parts List and Diagram



Dwg.#	Part#	Description
1	1325	Screw, #8 X 5/8"
2	3352	Lock Nut, 1/2" † Use Kit #2848
3	3933	Housing Top
4	3379	Camwasher
5	1846	Top Cam † Use Kit #3553
6	1074	Screw 8.32 X 1/4" Phil PN 18.8
7	2711	Connector, 3 Pin
8	2598	Motor, 24 VAC
or	4059	Motor, 12 VAC
9	3946	Bottom Cam, † Use Kit #3553
10	1307	O-ring, 2-116
11	4433	Toggle Switch, Complete
12	4146	Micro Switch Cover (Left)
or	4145	Micro Switch Cover (Right)
13	1845	Micro Switch, † Use Kit #3659
14	****	Washer, # 8 Lockwasher (No Longer Available)
15	3934	Center Plate w/Pins
16	3372	Output Shaft Threaded, † Use Kit #2848
17	2631	Output Gear, † Use #2848
18	2848	Shaft Replacement Kit
19	2652A	Washer, .312 X .195
20	2633	Large Pinion Gear
21	2651A	Washer, .312 X .135
22	4700	Power Cord Kit (20 FT.)
23	3935	Housing Bottom Plastic w/Seal & Bushing
24	2694	Switch Guard
25	2600	Strain Relief
26	1848	Spring, † Use #2848
27	2644	Gasket
28	3553	Cam Kit
29	2577	Capacitor, 24V
or	4016	Capacitor, 12V
30	3999	Wire Nut w/Spring
31	4387	Secondary Motor Gear
32	4388	Primary Gear
33	4032	Screw, #8 X 5/8" Mounting Plate
34	4725	Screw, #14 X 2"
35	3659	Micro Switch Kit

† Not sold separately. Included in the part # indicated.