

S-5!TM

Unprecedented Innovation
Unmatched Quality
Unbelievable Price



S-5-U Clamp

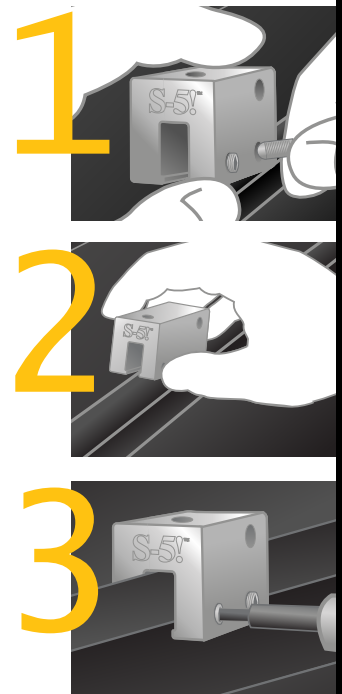
The S-5-U Clamp

The S-5-U clamp is by far our most popular and most versatile clamp. It will fit about 85% of the standing seam profiles manufactured in North America—including most structural and architectural profiles. It can be used on vertically oriented seams and by rotating the clamp 90 degrees it can also be used on most horizontal 2" seam profiles.

Its simple design, generous dimensioning and multiple hole orientations are what make it so versatile for use with S-5!TM snow retention products and other heavy-duty applications.

Installation is as simple as placing the clamp on the seam and tightening the patented round-point setscrews to the specified tension. Then, affix ancillary items using the bolt provided. Go to www.S-5.com/tools for information and tools available for properly attaching and tensioning S-5!TM clamps.

Thanks to our patented round-point setscrews, S-5!TM clamps do not pierce metal roof paneling, thereby protecting roof coatings and weather-tightness warranties.



The S-5-U Mini

The S-5-U Mini is a medium-duty, non-penetrating seam clamp. (A bit shorter than the S-5-U and having one setscrew rather than two.) The Mini is the choice for attaching all kinds of rooftop accessories: signs, walkways, satellite dishes, antennas, rooftop lighting, lightning protection systems, solar arrays, exhaust stack bracing, conduit, condensate lines, mechanical equipment—just about anything!*

*S-5!TM Mini clamps can be used with RamGard[®] unitized snow guards, but are not compatible and should not be used with S-5!TM SnoRailTM/SnoFenceTM or ColorGard[®] snow retention systems.

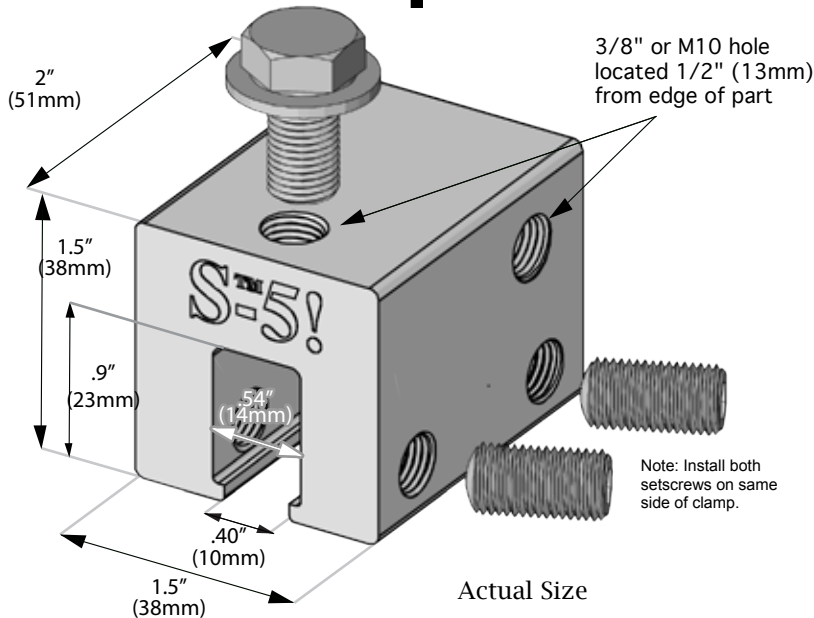
Attach almost **anything** to standing seam metal roofs without piercing the panel!

888-825-3432

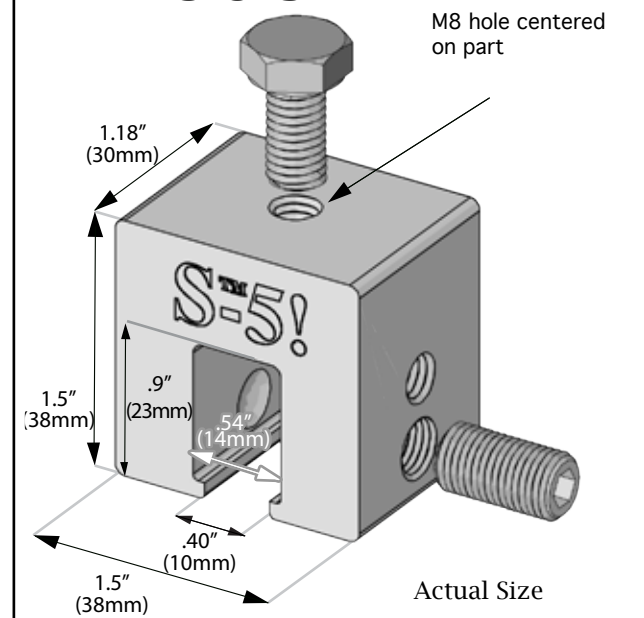
www.S-5.com

S-5!™ Unprecedented Innovation Unmatched Quality Unbelievable Price

S-5-U Clamp

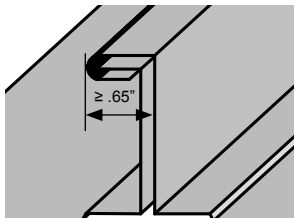


S-5-U Mini

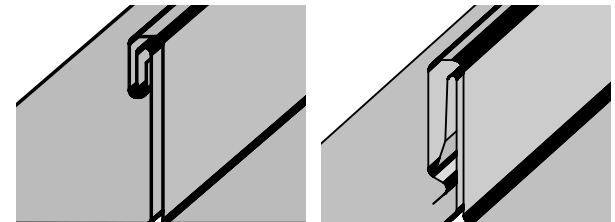


The S-5-U and S-5-U Mini clamps are each furnished with the hardware shown above. Each box also includes a bit tip for tightening setscrews using an electric screw gun. A structural aluminum attachment clamp, the S-5-U is compatible with most common metal roofing materials excluding copper. All included hardware is stainless steel. Please visit www.S-5.com for more information including CAD details, metallurgical compatibilities and specifications.

Example Profiles



For horizontal seams under .65" do not use this clamp. Visit www.S-5.com for more detailed information and proper clamp to use.



The S-5-U clamp has been tested for load-to-failure results on most major brands and profiles of standing seam roofing. The independent lab test data found at www.S-5.com can be used for load-critical designs and applications. S-5!™ holding strength is unmatched in the industry.

The strength of the S-5-U clamp is in its simple design. The patented setscrews will slightly dimple the metal seam material but not pierce it—leaving roof warranties intact.

S-5!™ Warning! Please use this product responsibly!

Products are protected by multiple U.S. and foreign patents. Visit the website at www.S-5.com for complete information on patents and trademarks. For maximum holding strength, setscrews should be tensioned and re-tensioned as the seam material compresses. Clamp setscrew tension should be verified using a calibrated torque wrench between 160 and 180 inch pounds when used on 22ga steel and between 130 and 150 inch pounds for all other metals and thinner gauges of steel. Consult the S-5!™ website at www.S-5.com for published data regarding holding strength.

Copyright 2008, Metal Roof Innovations, Ltd. S-5!™ products are patented by Metal Roof Innovations, Ltd.

version 080808

Distributed by