

SunEarth EMPIRE  
SOLAR COLLECTOR

INCLINED ROOF  
SURFACE

SEE DETAIL A

1 5/8" X 4"  
SOLAR STRUT  
FOOT

BUILT UP ROOFING  
OR COMPOSITION  
SHINGLES ON ROOFING  
FELT OVER DECK  
SHEATHING ON ROOF  
FRAMING SYSTEM  
-BEAM OR RAFTER

MOUNTING GROOVE

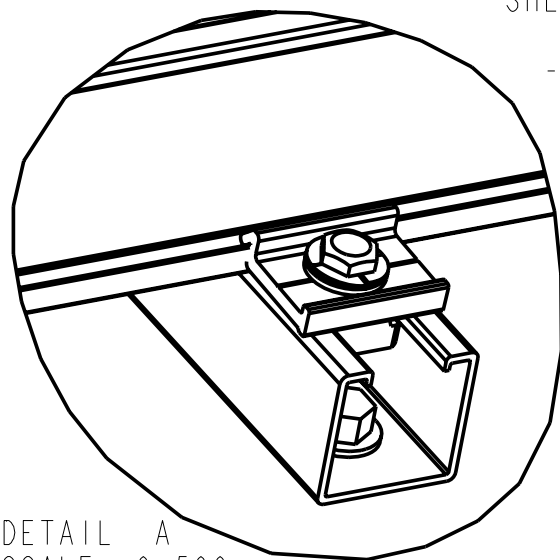
EMPIRE  
MOUNTING  
CLIP

3/8" ST STL BOLT  
W/ LOCKWASHER  
& FLATWASHER


ST STL  
SLIDING NUT

ST STL LAG BOLT  
\*LENGTH & DIA.  
VARY WITH  
INSTALLATION  
\*DRILL PILOT  
HOLE 3/4 OF  
BOLT DIA.

SECTION A-A  
SCALE 0.750



DETAIL A  
SCALE 0.500

SCALE:	 <b>SunEarth Inc.</b> Quality Solar Energy Products	8425 Almeria Ave. Fontana, CA 92335 www.sunearthinc.com					
MATERIAL		NAME	Empire-Flush Mount on Foot-Asphalt Shingle				
DRAWN BY	BDW	PART NO	em-ff-01-as-3D	DATE	04-11-08	REV	-