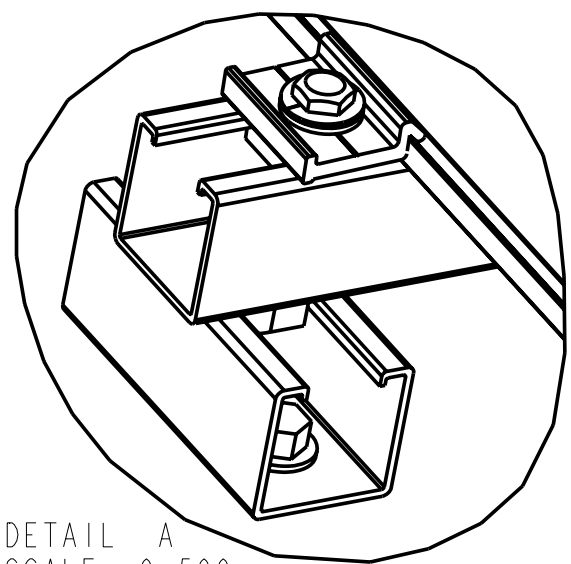
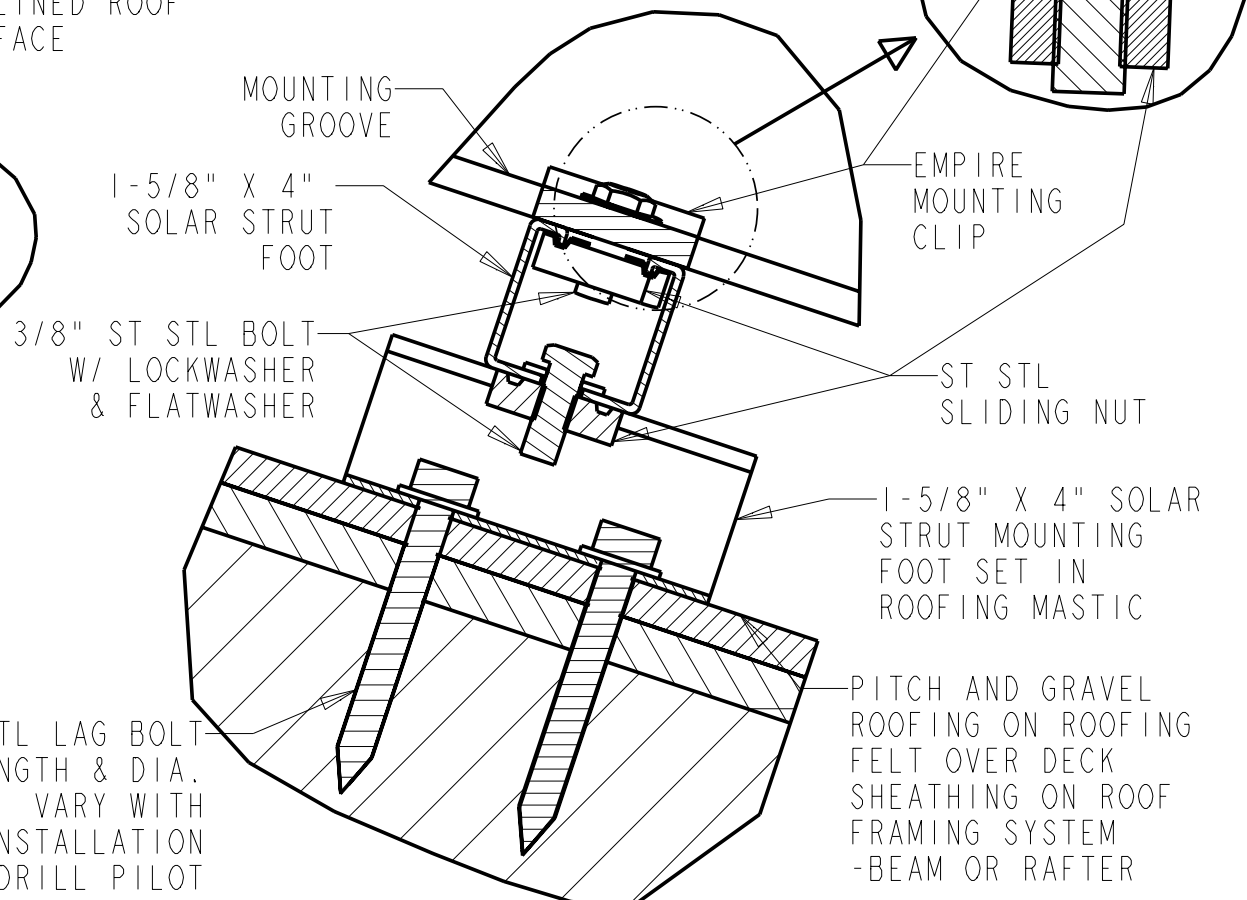
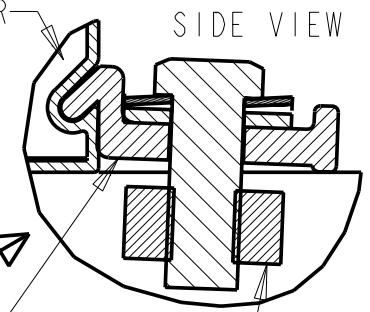


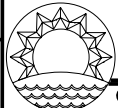
SunEarth EMPIRE SOLAR COLLECTOR



DETAIL A
SCALE 0.500

SECTION A-A
SCALE 0.500

Property of The Solaray Corporation.
Do not reproduce without permission.

SCALE:	 SunEarth Inc. Quality Solar Energy Products	8425 Almeria Ave. Fontana, CA 92335 www.sunearthinc.com		
MATERIAL		NAME	Empire-Strut on Foot -v.02 - Asphalt Shingle	
DRAWN BY BDW	PART NO	em-sf-01-as-3D	DATE	05-01-08
			REV	-